



The FIAMM **UMTB** valve regulated lead acid battery offers all the advantages of absorptive glass mat (AGM) technology with the added benefits of accessible front terminals.

The front terminal design on all **UMTB** batteries reduces installation time and simplifies maintenance. System reliability is enhanced and cost is reduced. The front access terminals are fully insulated by terminal covers thus ensuring electrical safety. The terminal covers have a specially designed probe hole allowing safe and easy voltage readings to be taken. The front terminal design minimizes overall footprint and facilitates a more compact battery layout in both cabinets and on racks.

The new grid design and the new lead alloy ensure a long life and excellent performance at all discharge rates.

The highest level of quality and respect for the environment is assured by FIAMM's adherence to ISO 9001 quality system and ISO 14001 environmental system.

TECHNICAL FEATURES

- ▶ **Plates and Grids:** thick pasted plates and grids of high quality Lead-Tin-Calcium alloy
- ▶ **Separators:** microporous glass mats
- ▶ **Containers and Lids:** made from thick-walled ABS flame retardant plastic designed for unsurpassed mechanical strength and in accordance with flame retardancy standard IEC 707 FV0 and UL 94 V0 (LOI greater than 28%). Lids are automatically heat-sealed to the containers
- ▶ **Terminals:** threaded terminals provide for high conductivity, minimum installation time, and maximum torque retention
- ▶ **Flame Arrestors:** expel excess gas while preventing any errant spark or flame from entering the battery
- ▶ **Handles:** all sizes have handles which facilitates ease of handling, installation and removal of the batteries
- ▶ **Safety Valves:** operate at low internal pressure
- ▶ **Connections:** the terminals allow for front, top or side connections depending on the space constraints of the installation
- ▶ **Remote Venting System:** an optional Remote Venting System (RVS) is available for applications which require small amounts of gas (generated during normal operation) to be vented externally

APPLICABLE STANDARDS

- ▶ IEC 60896 Part 21-22
- ▶ BS 6290 Part 4
- ▶ Eurobat Guide - 12 years and longer "long life"



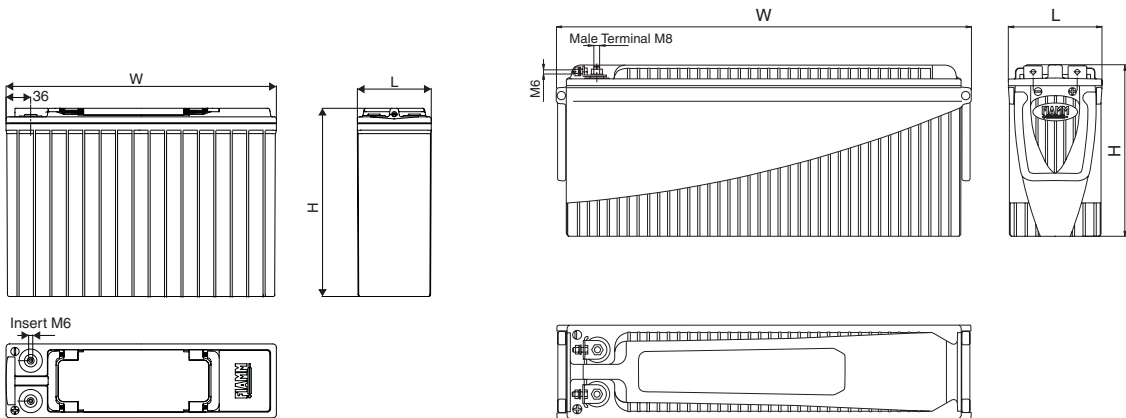
PRODUCT FEATURES

- ▶ Monoblocs fits 19" and 23" rack/cabinet
- ▶ Optional remote venting system
- ▶ Optional means of connection from the front, the top and the side of the monoblocs offering flexibility to connect the monoblocs according to available space



ELECTRICAL CHARACTERISTICS

- ▶ **Battery Float Voltage (at 20°C):**
13.62 Volt for 12 Volt monobloc
- ▶ **Float Voltage compensation with Temperature:**
-15 mV/°C for 12 Volt monobloc
- ▶ **Self-Discharge at 20°C:** < 2% / month



12 UMTB 60-92-100S

12 UMTB 105-130-160

BATTERY TYPE	NOMINAL VOLTAGE (V)	NOMINAL CAPACITY (Ah) 10 hours 1.80 Vpc, 20°C	INTERNAL RESISTANCE (mohm) IEC 60896-21	SHORT CIRCUIT CURRENT (A) IEC 60896-21	DIMENSIONS (mm)			WEIGHT (kg)	TERMINAL TYPE
					L	W	H		
12 UMTB 60	12	60	13	1200	105	280	260	20	insert M6
12 UMTB 92	12	92	6.0	2100	108	395	275	34	insert M6
12 UMTB 100 S	12	100	5.6	2200	108	395	275	36	male M6
12 UMTB 105	12	105	5.5	2300	126	558	230	41	male M8
12 UMTB 130	12	130	4.6	2600	126	558	270	50	male M8
12 UMTB 160	12	160	3.9	3200	126	558	320	60	male M8

DISCHARGE DATA AT 20°C

BATTERY TYPE	NOMINAL CAPACITY 1.80 VPC, 10 hours, 20°C	DISCHARGE TIME (hours)									
		1		2		3		5		10	
		1.67 VPC W/cell	A	1.7 VPC W/cell	A	1.75 VPC W/cell	A	1.8 VPC W/cell	A	1.8 VPC W/cell	A
12 UMTB 60	60	67.6	36.1	41.1	21.8	30.1	15.7	20.6	10.6	12.7	6.0
12 UMTB 92	92	113	60.6	65.0	34.3	46.8	24.4	30.9	15.9	18.0	9.20
12 UMTB 100 S	100	121	64.6	70.1	37.0	51.1	26.6	34.3	17.6	19.5	10.0
12 UMTB 105	105	133	71.0	75.1	39.6	54.5	28.4	36.0	18.5	20.5	10.5
12 UMTB 130	130	165	88.0	93.0	49.0	67.4	35.1	44.6	22.9	25.4	13.0
12 UMTB 160	160	202	108	114	60.3	83.0	43.2	54.9	28.2	31.2	16.0