

MINI CENTRAL INVERTER

SMC 4600A, 5000A, SMC 6000A



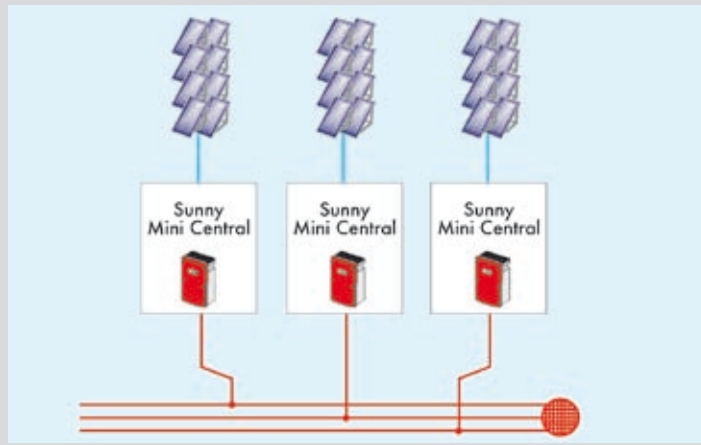
PRODUCT ADVANTAGES:

Best efficient cooling concept OptiCool®

Galvanic isolation

Integrated DC circuit breaker ESS

5 years SMA warranty



Connection example of the Sunny Mini Central (three-phase connection)

TECHNICAL DATA

| SMC | | 4600A | 5000A | 6000A |
|--|--------|------------------------|------------------------|------------------------|
| Input (DC) | | | | |
| Max. DC output | W | 5250 | 5750 | 6300 |
| Max. DC voltage range | V | 600 | 600 | 600 |
| PV voltage range | V | 246–480 | 246–480 | 246–480 |
| Max. input current | A | 26 | 26 | 26 |
| Number of MPP trackers | Pieces | 1 | 1 | 1 |
| Max. number of strings (parallel) | Pieces | 4 | 4 | 4 |
| Output (AC) | | | | |
| AC nominal capacity | W | 4600 | 5000 | 6000 |
| Max. AC output | W | 5000 | 5500 | 6000 |
| Max. output current | A | 26 | 26 | 26 |
| AC nominal voltage/range | V | 220–240/180–260 | 220–240/180–260 | 220–240/180–260 |
| AC grid frequency (self-adjusting)/range | Hz | 50/60/±4.5 | 50/60/±4.5 | 50/60/±4.5 |
| Capacity factor | cos φ | 1 | 1 | 1 |
| AC connection | | one phase | one phase | one phase |
| Degree of efficiency | | | | |
| Max. efficiency (eta max) | % | 96.1 | 96.1 | 96.1 |
| European weighted efficiency (euro-eta) | % | 95.2 | 95.2 | 95.2 |
| Protective equipment | | | | |
| DC reverse polarity protection | | yes | yes | yes |
| DC load circuit breaker ESS | | yes | yes | yes |
| AC short circuit protection | | yes | yes | yes |
| Ground fault current monitoring | | yes | yes | yes |
| Grid monitoring (SMA grid guard® 2) | | yes | yes | yes |
| Galvanic isolation | | yes | yes | yes |
| General data | | | | |
| Dimensions (width / height / depth) | mm | 468 / 613 / 242 | 468 / 613 / 242 | 468 / 613 / 242 |
| Weight | kg | 62 | 62 | 63 |
| Operation temperature range | °C | –25 ... +60 | –25 ... +60 | –25 ... +60 |
| Own consumption: range (standby)/night oper. | W | <7 / 0.25 | <7 / 0.25 | <7 / 0.25 |
| Topology | | low frequ. transformer | low frequ. transformer | low frequ. transformer |
| Cooling concept | | OptiCool® | OptiCool® | OptiCool® |
| Installation site: indoor / outdoor (IP65) | | yes / yes | yes / yes | yes / yes |
| Equipment | | | | |
| DC connection | | MC4 | MC4 | MC4 |
| AC connection: clamp terminal | | yes | yes | yes |
| LCD display | | yes | yes | yes |
| Interface: RS 232 / RS 485 / radio | | optional | optional | optional |
| Warranty: 5 years / 10 years | | yes / optional | yes / optional | yes / optional |
| Article numbers | | | | |
| | | 300014600AESS | 300015000AESS | 300016000AESS |

Subject to modifications that represent progress.