

### Applications and Key Benefits

- + OPzS cells - 100Ah to 3.500Ah nominal capacity ideal for:
  - IT and Telecom network operations
  - Power plants and power distribution
  - Emergency lighting and Security
  - Automation & Industrial backup power
  - Railway, Airport & Seaport signaling
  - Other applications in areas with unreliable power supply
- + Tubular positive plates
- + Dimensions according to DIN 40736 OPzS cells, compatible with existing installations
- + Outstanding cycling performance
- + Suitable for use at elevated temperature and reliable operation in difficult conditions
- + Optimized for deep discharge recovery DIN 43539T5
- + 20 years design life under float voltage condition
- + Also available in dry charged version
- + 100% Recyclable

### Applicable Standards

- DIN 40736 - specification OPzS cells
- DIN 43539T5 - deep discharge
- DIN 40740 - electrolyte level indicator
- IEC 60896 Part 11 - vented types requirements & tests

### FIAMM Manufacturing

- ISO 9001 Quality Management System
- ISO 14001 Environmental Management System

### Technical Features

- Tubular positive plates with special low antimony lead alloy reduces loss of water (3-year topping-up intervals on float condition)
- Capacities exceed DIN nominal values
- Electrolyte: high purity sulphuric acid solution with 1,24 specific gravity at 20°C
- Pasted negative grid plates designed to have service lives consistent with the positive plates
- Separators with extremely high porosity and low internal resistance
- Container in acid resistant SAN, designed for unsurpassed mechanical strength
- Lid in standard ABS
- Threaded female M10 terminal posts guarantee highest conductivity, maximum torque retention and easy installation
- High integrity post seal design to prevent electrolyte leakage and terminal corrosion
- Ceramic plugs filter electrolyte from escaping gasses
- Flame arrestors prevent sparks or flames from entering the battery
- < 3% self-discharge per month at 20°C allows 6 months shelf life
- Installation in vertical position
- Flexible, fully insulated cable connectors with insulated screw with probe hole on the top for electrical measurement



**ENDURLITE**

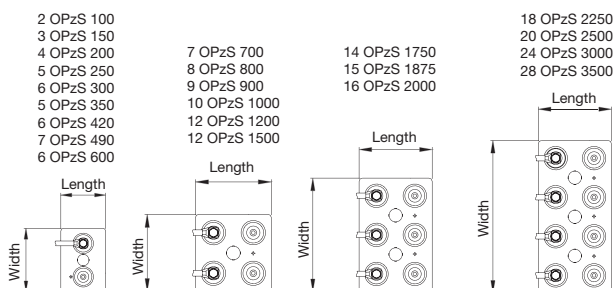
**LM OPzS**

**FIAMM LM OPzS range**

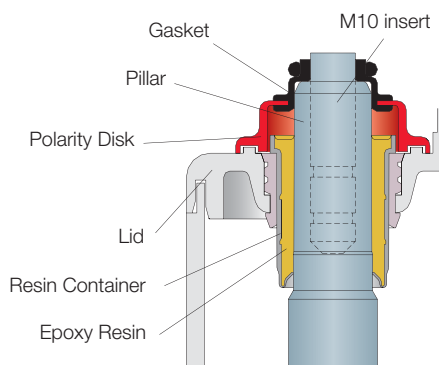
DIN 40736 STANDARD		CELL TYPE	CAPACITY (Ah) at 20°C 10 hrs to 1.80 VPC	SHORT CIRCUIT CURRENT (A)	INTERNAL RESISTANCE (mohm)	WEIGHT (kg) with electrolyte	ELECTROLYTE (Litres)	DIMENSIONS (mm)			TERMINALS +/-
Type	Nominal Capacity 20°C 10 hrs 1.80 VPC							Length	Width	Height	
2 OPzS 100	100	LM 100	108	1250	1.824	13.9	4.2	103	206	420	1/1
3 OPzS 150	150	LM 150	162	1875	1.216	16.1	3.8	103	206	420	1/1
4 OPzS 200	200	LM 200	216	2380	0.840	17.4	3.6	103	206	420	1/1
5 OPzS 250	250	LM 250	270	2700	0.730	21.4	4.7	124	206	420	1/1
6 OPzS 300	300	LM 300	324	3240	0.608	24.8	5.4	145	206	420	1/1
5 OPzS 350	350	LM 350	390	3150	0.628	28.4	6.3	124	206	536	1/1
6 OPzS 420	420	LM 420	468	3780	0.524	32.7	7.2	145	206	536	1/1
7 OPzS 490	490	LM 490	546	4410	0.449	37.6	8.3	166	206	536	1/1
6 OPzS 600	600	LM 600	630	4560	0.447	46.5	12.2	145	206	711	1/1
7 OPzS 700	700	LM 700	735	5320	0.383	58.8	15	210	191	711	2/2
8 OPzS 800	800	LM 800	840	6100	0.335	62.2	12.9	210	191	711	2/2
9 OPzS 900	900	LM 900	945	6840	0.298	71.5	22	210	233	711	2/2
10 OPzS 1000	1000	LM 1000	1050	7600	0.268	74.9	17.7	210	233	711	2/2
12 OPzS 1200	1200	LM 1200	1260	9120	0.223	89.2	22.1	210	275	711	2/2
12 OPzS 1500	1500	LM 1500	1570	10200	0.200	114	26.7	210	275	861	2/2
14 OPzS 1750	1750	LM 1750	1840	11900	0.171	147	35.5	214	399	837	3/3
15 OPzS 1875	1875	LM 1875	1970	12750	0.160	150	34	214	399	837	3/3
16 OPzS 2000	2000	LM 2000	2100	13600	0.150	155	38.3	214	399	837	3/3
18 OPzS 2250	2250	LM 2250	2360	15300	0.133	181	43.6	212	487	837	4/4
20 OPzS 2500	2500	LM 2500	2620	17000	0.120	190	40.4	212	487	837	4/4
24 OPzS 3000	3000	LM 3000	3150	20400	0.100	222	52.6	212	576	837	4/4
28 OPzS 3500	3500	LM 3500	3500	23800	0.086	248	55.2	212	576	837	4/4

**Electrical Characteristics**

- ✦ NOMINAL VOLTAGE: 2 V
- ✦ FLOAT VOLTAGE AT 20°C: 2.23 V/cell
- ✦ BOOST RECHARGE: 2.4 V/cell



**High Reliability Post Seal**



FIAMM reserves the right to change or revise without notice any information or detail given in this publication LM\_EMEA\_2011\_04\_12

FIAMM S.p.A.  
Industrial Batteries  
www.fiamm.com  
email: info.standby@fiamm.com



Industrial Batteries